



1500L SEPTIC TANK INSTALLATION.

EXCAVATION AND BACKFILL

Dig the hole 20% larger than tank.

Ensure that the tank is placed on a bed of at least 100 - 150mm thick sand, with no sharp or solid protrusions.

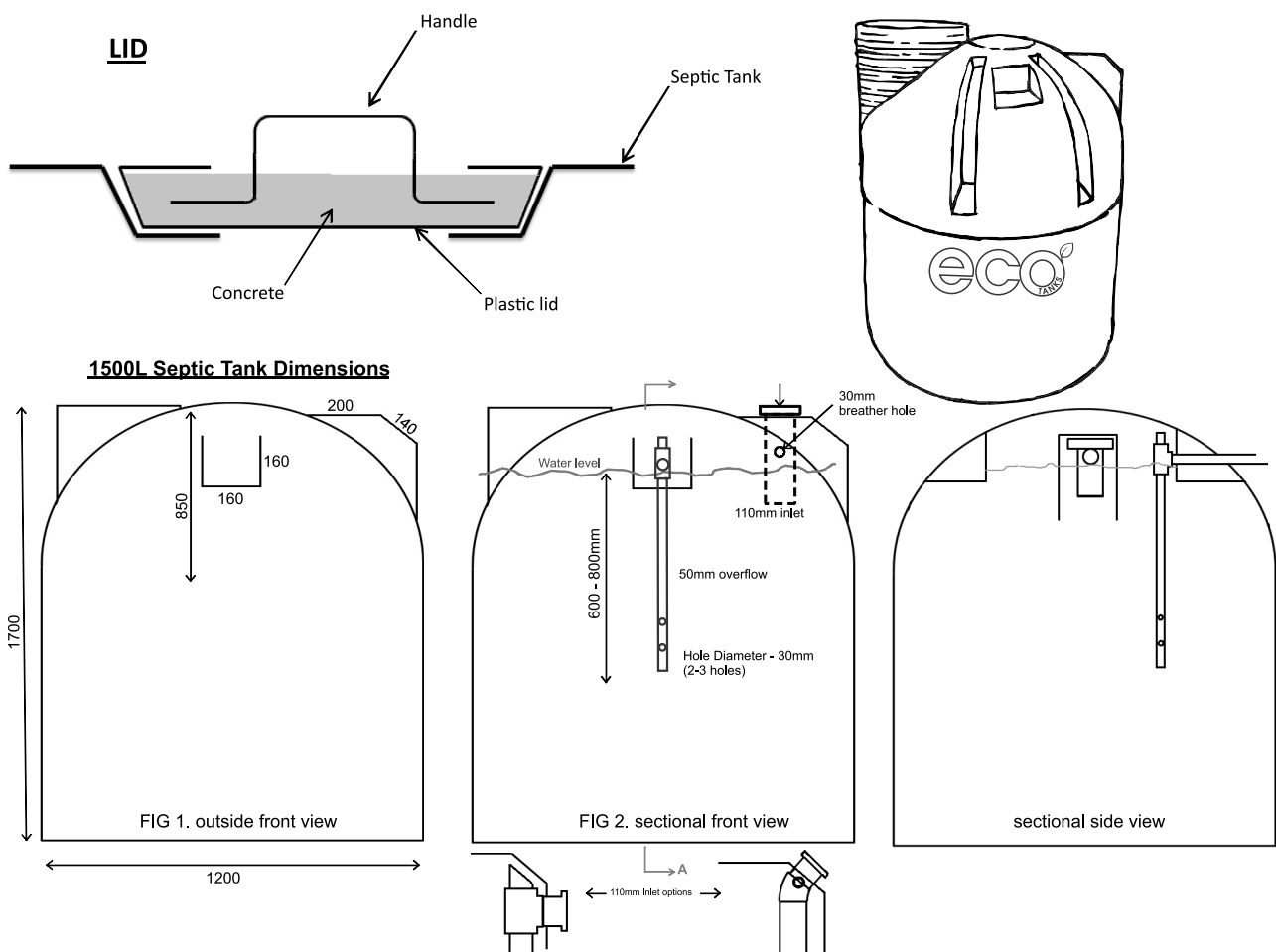
Fill the tank 300mm at a time, whilst backfilling with a sand, cement (stabilized earth) mix; taking care not to backfill higher than the water level as you progress.

FITTING INLET

Drill a 110mm hole on one of the protruding flats that suite depth and angle of inlet pipe coming to septic tank.

Fit a 110mm inlet through the hole (pipe length ± 300 mm) (Note: Glue PVC connections) (Note: 30mm Breather hole into the inlet pipe above water level as in Fig 2) Bottom of pipe to be ± 150 mm under the water level.

Connect the 110mm inlet pipe to your toilet. Ensure that the 50mm overflow pipe is routed to your french drain or soak away. (Not too close to be able to contaminate an underground water supply ie: borehole or spring).



FITTING OUTLET

Drill a 50mm hole for waste pipe on the 160x160 indent, or flat surface provided either side, for outlet. (Figure 1)

Fit a 50mm waste through the hole as shown in Fig 2. (The idea is to draw the overflow water from the middle of the tank ie: between the floating crust & bottom sediment).

LID

Depending on the lid type, fill lid with concrete for weight to keep it down. Use rod or thick wire to make handle for lifting.

STARTING UP

Activate the bacterial cycle in your tank by adding a commercially available septic tank bacteria starter kit, or a smelly piece of chicken or beef...or fish!

Conservancy tanks do not require an overflow, but rely on being emptied as and when required. Note: Special care needs to be taken with regard to the backfilling, base, tiedown & cover slab of a conservancy tank, especially in wetter areas.

The possibility exists for the tank to 'float' out of the ground or deform when empty if not installed correctly and in a suitable soil type. Highly organic, clay, silt and fine sand soil types are generally to be avoided when choosing a tank location site.